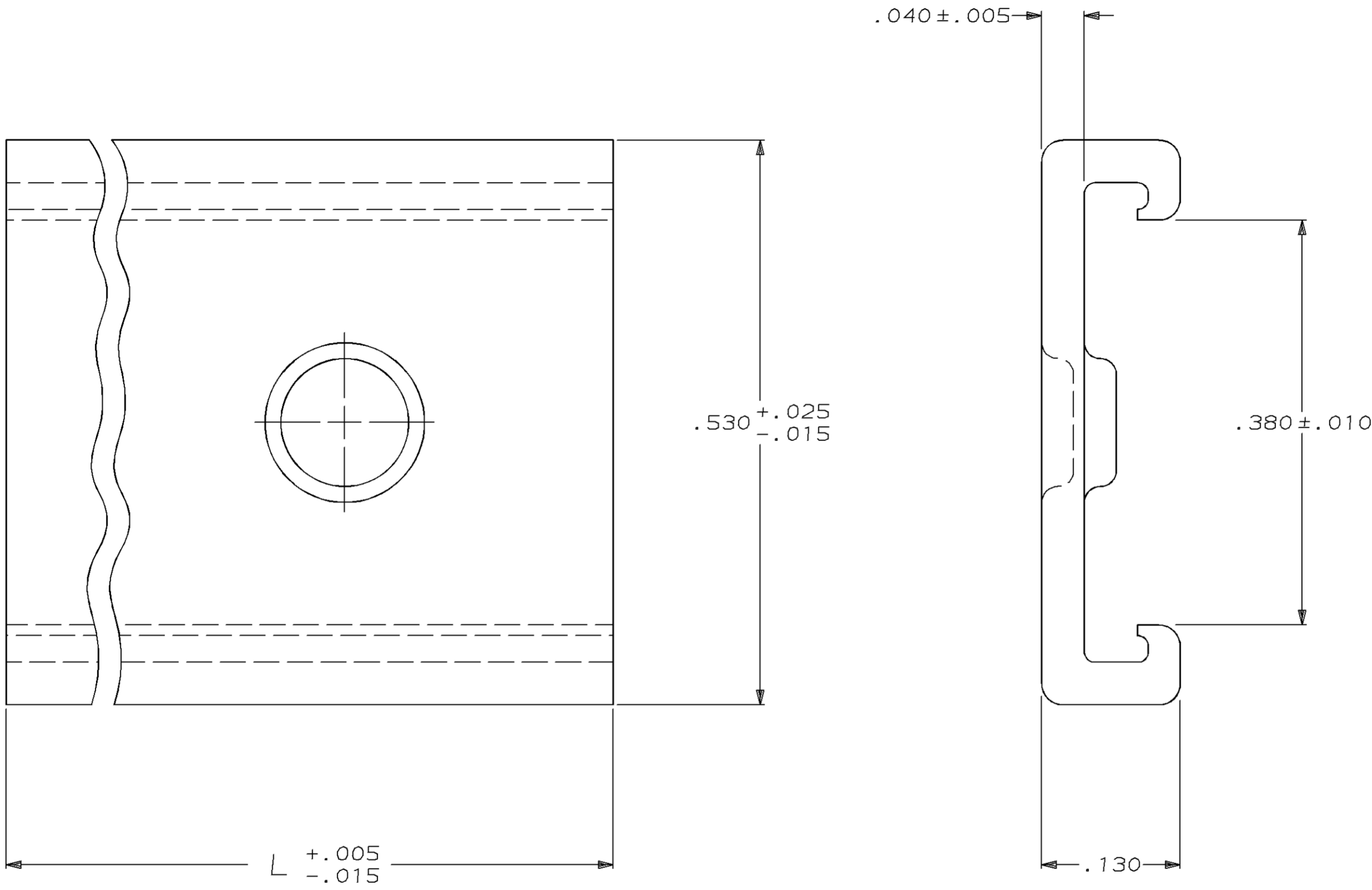


THIS DRAWING IS UNPUBLISHED. RELEASED FOR PUBLICATION, 19 .
 © COPYRIGHT 19 BY AMP INCORPORATED. ALL INTERNATIONAL RIGHTS RESERVED.

| LOC | DIST | P | F | ZONE | LTR | REVISIONS | | |
|-----|------|---|---|------|-----|-----------------------------|---------|----------|
| CM | 54 | | | | K | DESCRIPTION | DATE | APPD |
| | | | | | | OBS 1-6 PER EC 0730-0141-96 | 6-27-96 | BL RS |



| IN | MM | NO. OF CIRCUITS | PART NUMBER |
|-------|-------|-----------------|-------------|
| 3.780 | 96.01 | 24 | 2-641106-4 |
| 3.624 | 92.05 | 23 | 2-641106-3 |
| 3.468 | 88.09 | 22 | 2-641106-2 |
| 3.312 | 84.12 | 21 | 2-641106-1 |
| 3.156 | 80.16 | 20 | 2-641106-0 |
| 2.844 | 72.24 | 18 | 1-641106-8 |
| 2.376 | 60.35 | 15 | 1-641106-5 |
| 1.908 | 48.46 | 12 | 1-641106-2 |
| 1.440 | 36.58 | 9 | 641106-9 |
| .972 | 24.69 | 6 | 641106-6 |
| .660 | 16.76 | 4 | 641106-4 |
| .504 | 12.80 | 3 | 641106-3 |

| | |
|------|-------|
| .530 | 13.46 |
| .380 | 9.65 |
| .130 | 3.30 |
| .040 | 1.02 |
| .025 | 0.64 |
| .015 | 0.38 |
| .010 | 0.25 |
| .005 | 0.13 |
| IN | MM |

CONVERSION TABLE

METRIC

| | | | | | |
|---|--|------------------------|--|---|--|
| DO NOT SCALE PRINT. UNLESS SPECIFIED DIMENSIONS IN INCHES TOLERANCES ON: 2 PLC DEC ± - 3 PLC DEC ± .015 ANGLES ± - | | DR N. GANNON 8-8-91 | | PART NO | |
| MATERIAL POLYESTER NATURAL UL94V-0 | | CHK R. SWING 8-8-91 | | AMP AMP Incorporated Harrisburg, PA 17105-3608 | |
| FINISH - | | APPD T. WERT 8-8-91 | | NAME COVER, EDGE CONNECTOR, MTA-156 | |
| APPLICATION SPEC - | | APPD T. WERT 8-8-91 | | DRAWING NO 641106 | |
| WEIGHT - | | PRODUCT SPEC - | | SIZE C 00779 | |
| | | SCALE 10:1 | | SHEET 1 OF 1 | |